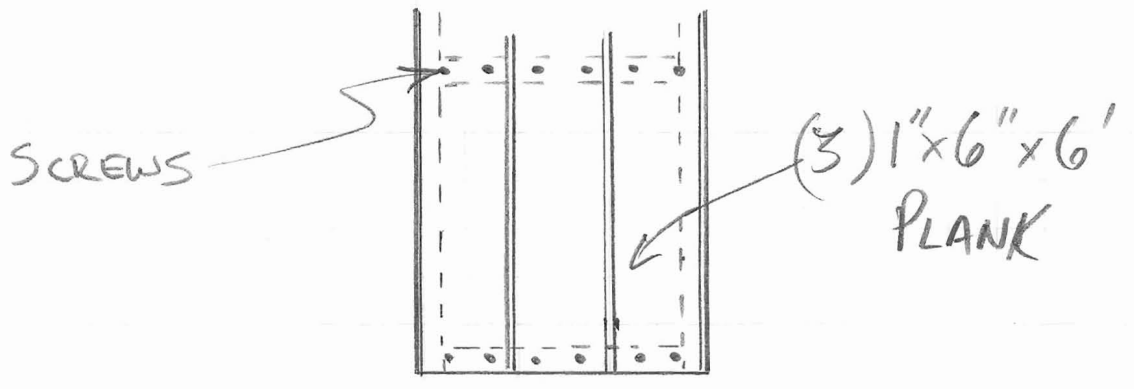
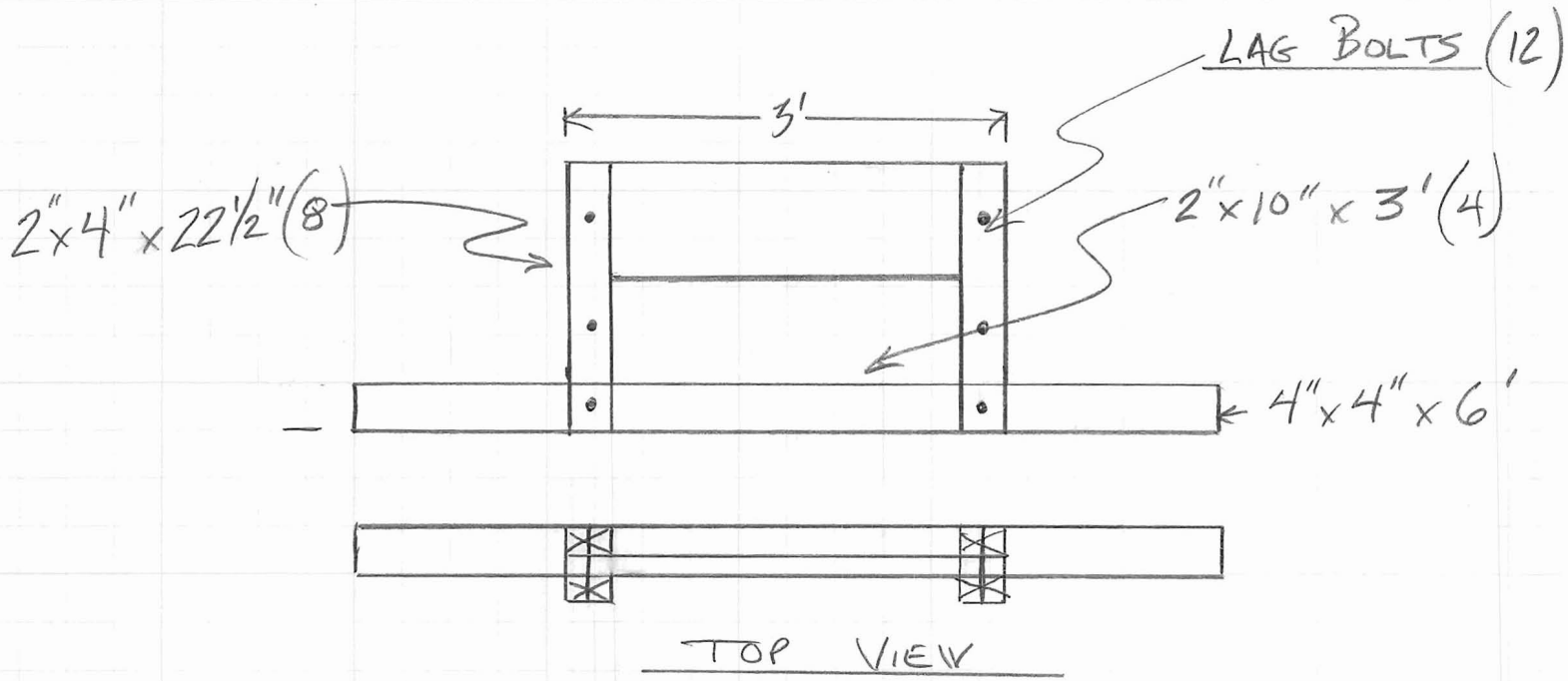


PLANK DETAIL



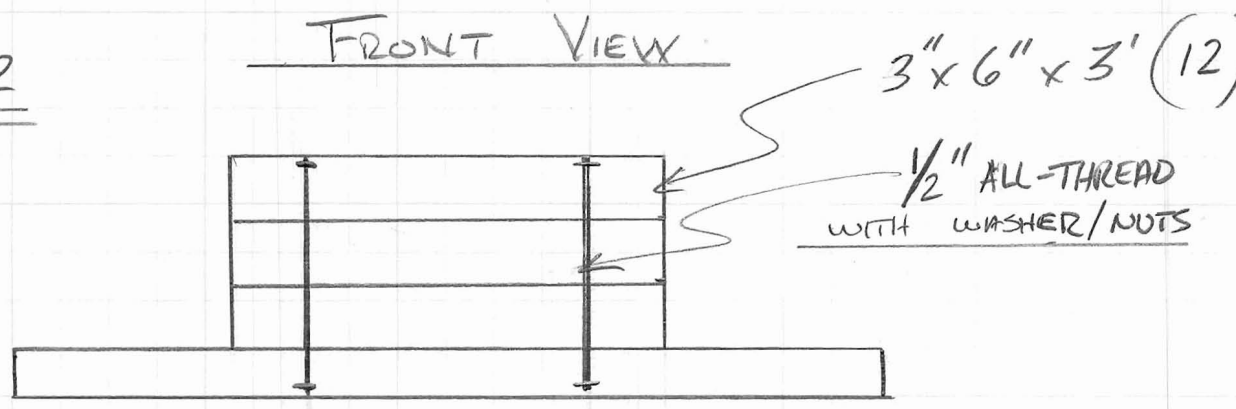
OPTION #1

FRONT VIEW
BACKBOARD



OPTION #2

FRONT VIEW



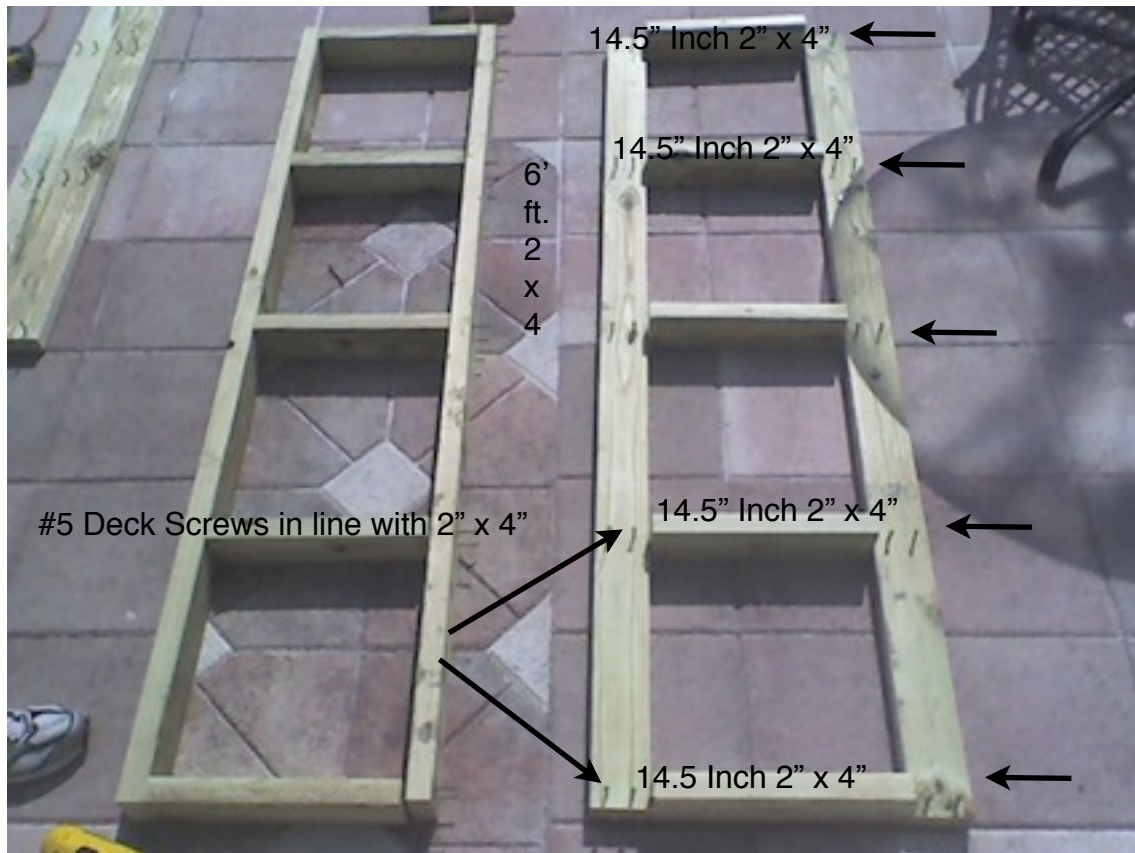
Horseshoe Pit Plans

Directions:

Like Norm says, make sure you read and understand your power tool manuals before starting any project. And of course measure twice and cut once.

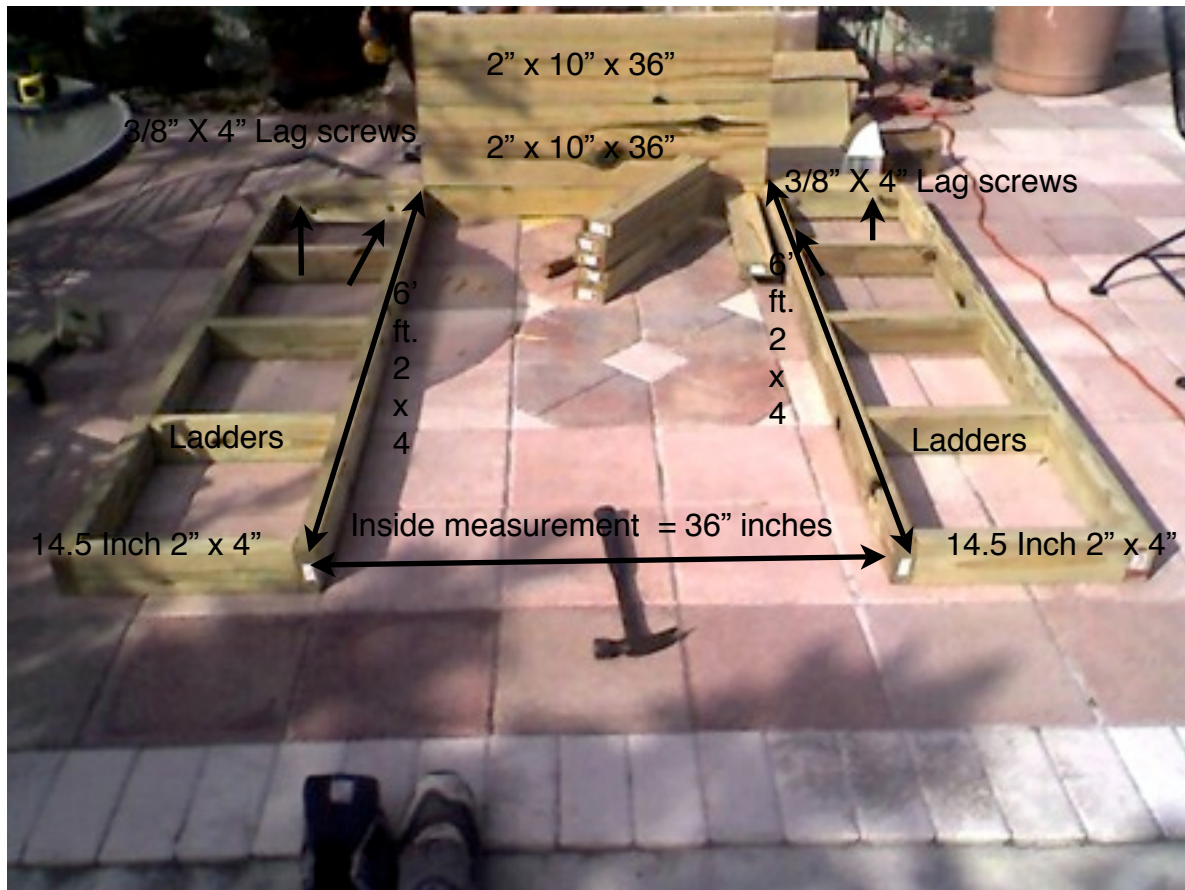
Assembling the Runways

1. Cut twenty pieces of 2"X4" in to 14.5" inch pieces.
2. Cut eight six foot lengths of 2"X4" Assemble the 6 ft. and the 14.5 inch pieces of lumber in to four ladder formations.
3. Drive forty #5 deck screws in to the six foot lengths in line with the inside 14.5 inch pieces. This will assemble the ladders, the foundation for your runways.



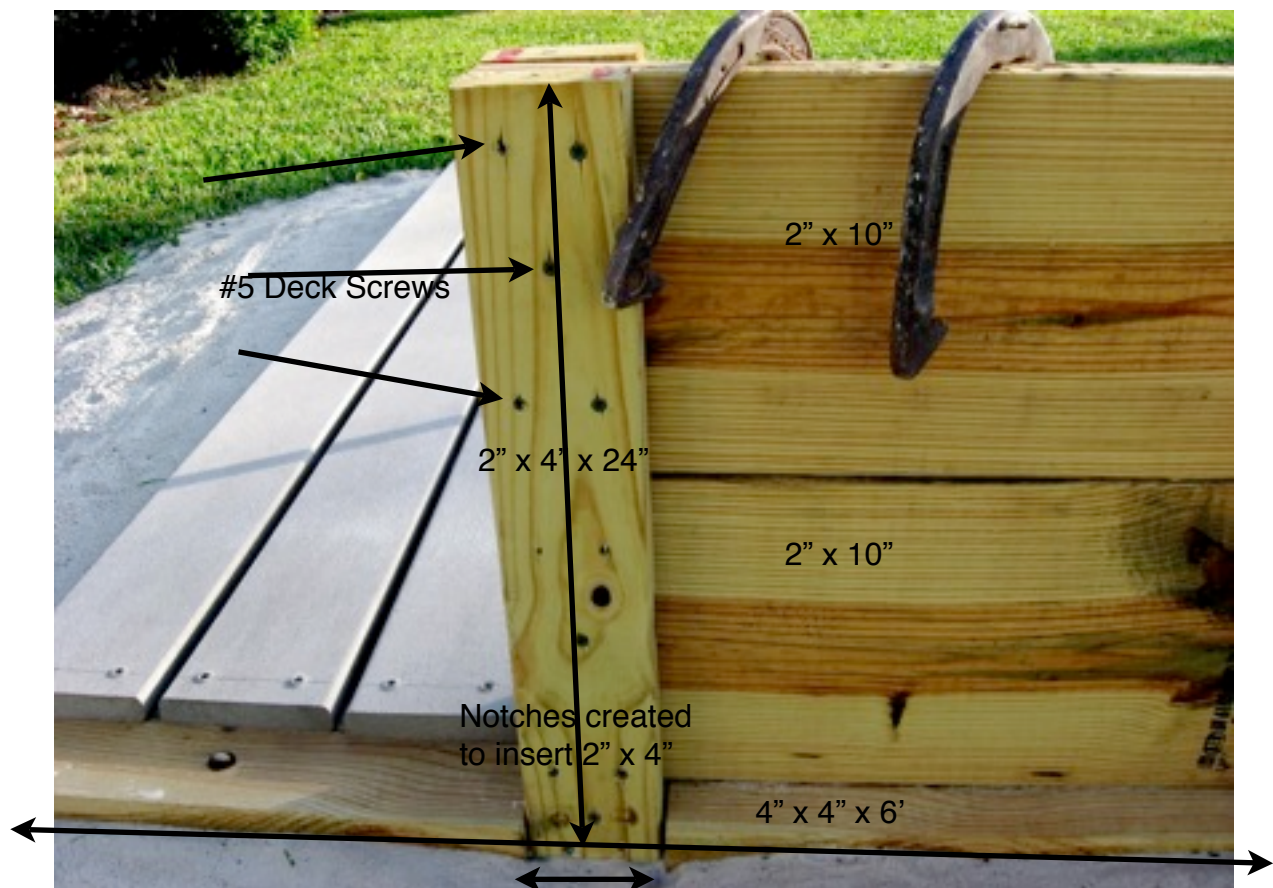
Connecting the Ladders to the Backstop

1. Line up ladders with 4" x 4". Ladders should be spaced 36" inches apart. The inside measurement between the two ladders should be 36" inches.
2. Drill small pilot holes for 3/8" lag screws, not to exceed half the diameter of the lag screw. Attach the ladders to the 4" X 4" with lag screw and washers as shown. Two lag screws on the inside of each frame, spaced evenly.



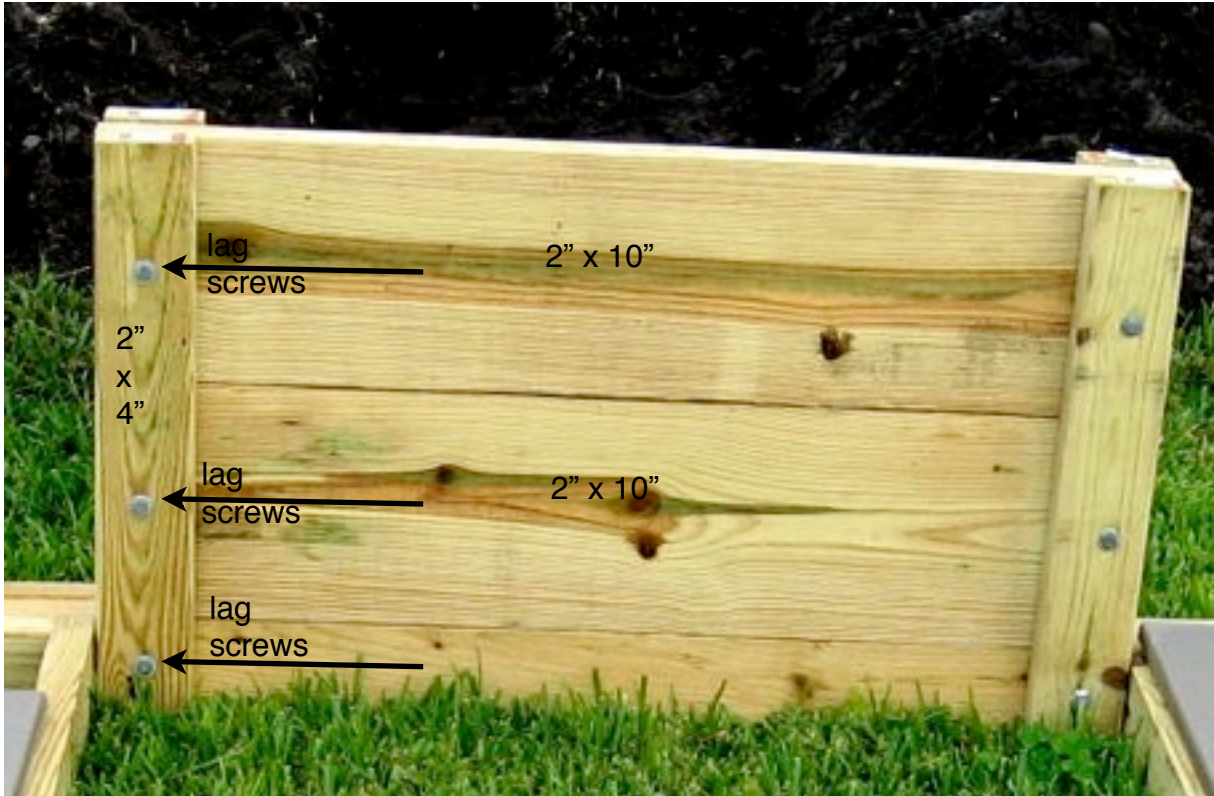
Assembling the Backstop

1. Cut 8 pieces of 2" x 4" in 24" inch lengths.
2. Notch out back side of 4" x 4" to accommodate 2" x 4"
3. Insert 2" x 4" in to notch.
4. Stack 2" x 10's one on top of the other as shown in this picture.
5. Use #5 deck screws to attach 2" x 4" to 2" x 10's" on back side of backstop. Use your own judgement. I used 12 screws on each side.



Assembling and placing the Backstop (Continued)

6. Drill small pilot holes for lag bolts through 2" x 4" and in to 2" x 10" on front side of backstop. Pilot holes should not exceed half the diameter of the lag screw.



Excavating and placing the pin

1. Excavate foundation and dig hole for “pin bucket”.



2. Place frame and pin bucket in place.

3. Drill holes in 4” x 4” to accommodate 1/2” conduit or rebar.

4. Pound conduit or rebar through 4 x4 to anchor pit frames in place.



5. Fill and level with sand.



6. Add lighting.



7. Throw some shoes!!!!!!

